



Hamburg - Germany

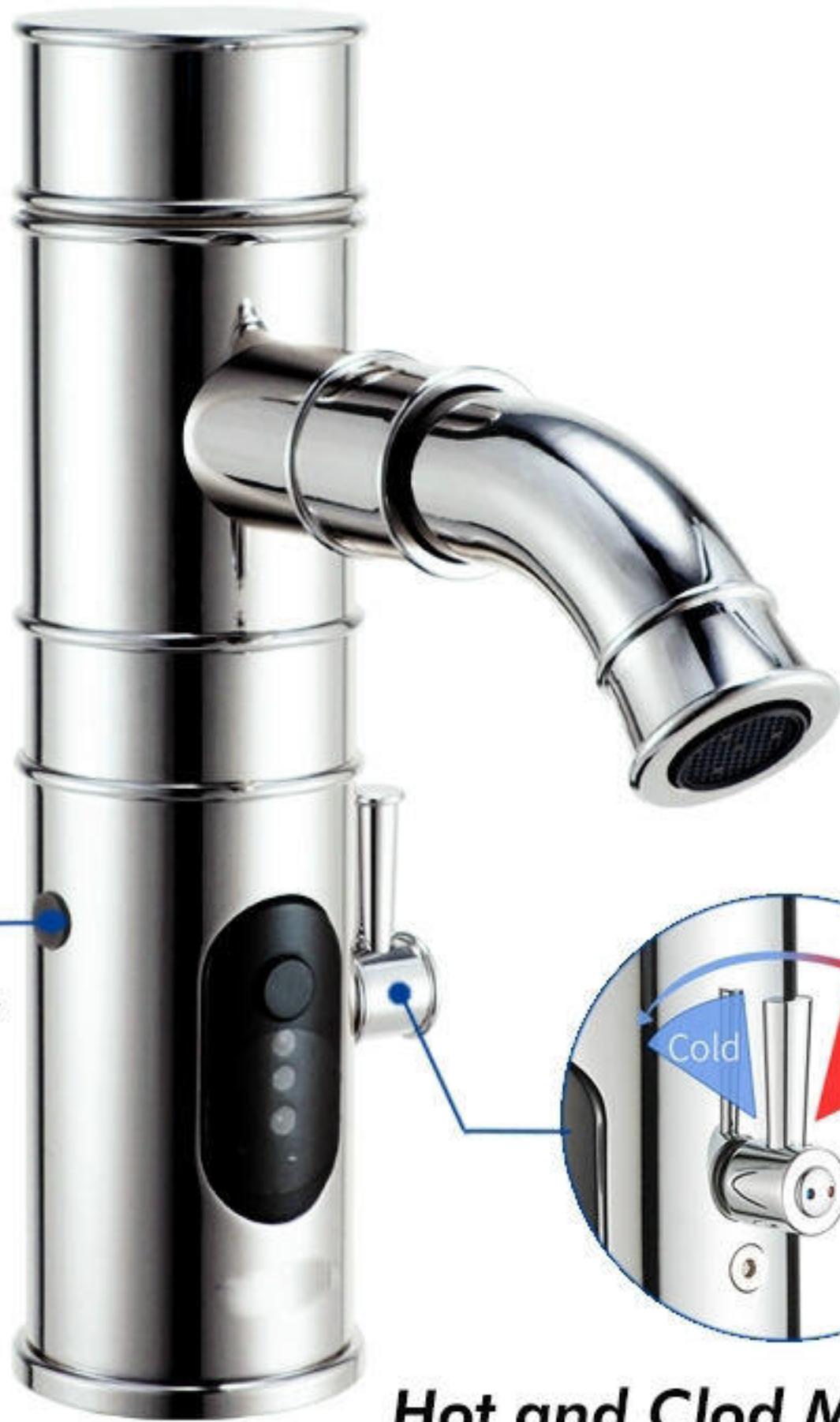




**Rotation wheel
Manual Mode**



**Intelligent Sensor
Automatic Mode**



**Adjust The Water
Volume in
Automatic Mode**

**Hot and Cold Mixer,
Adjust The Temperature
by Handle**





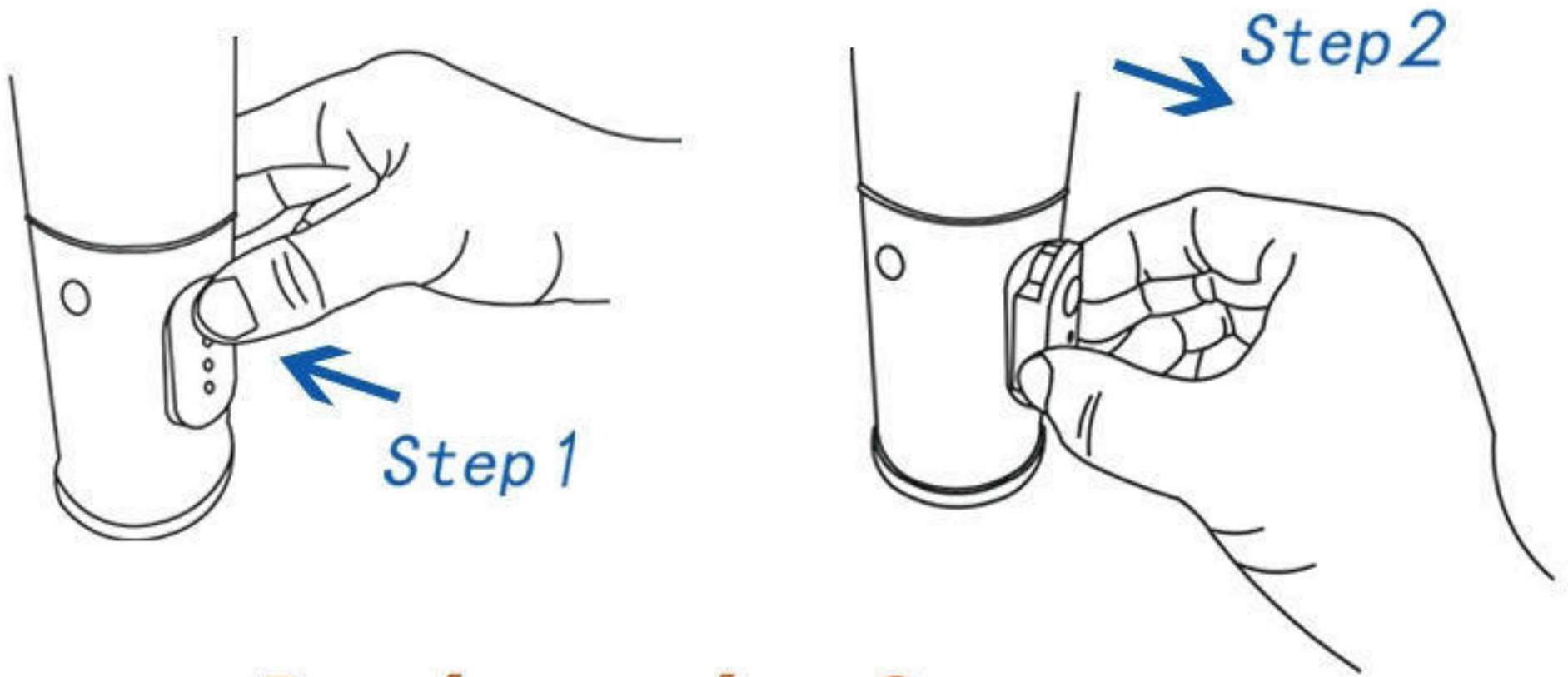
**Easy Maintenance
It Can Be
taken Apart**

**Touch Switch
Mode Adjusted**



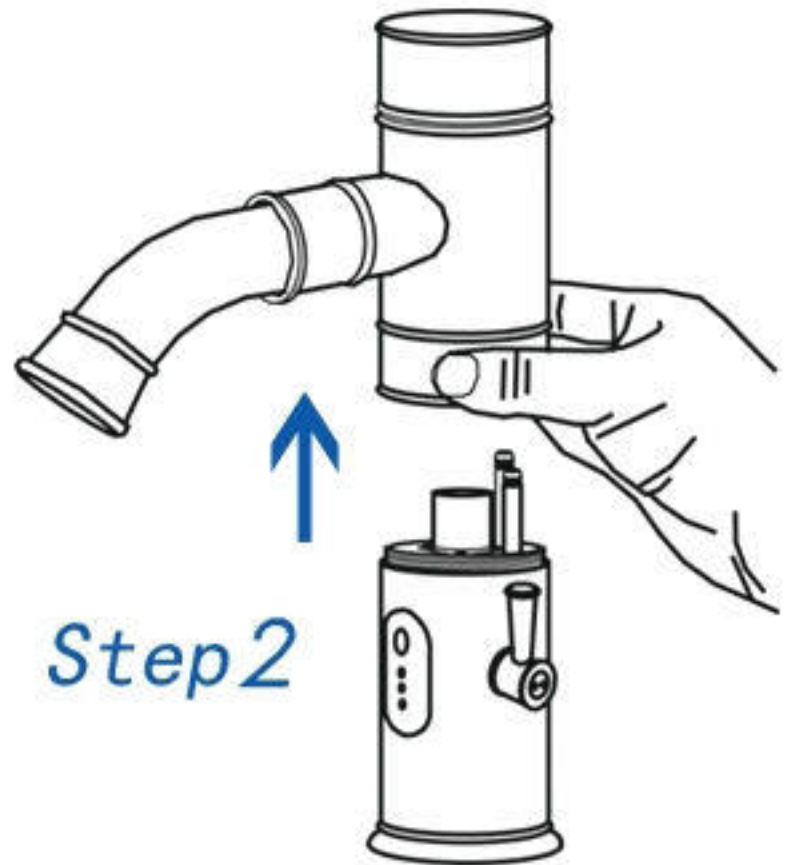
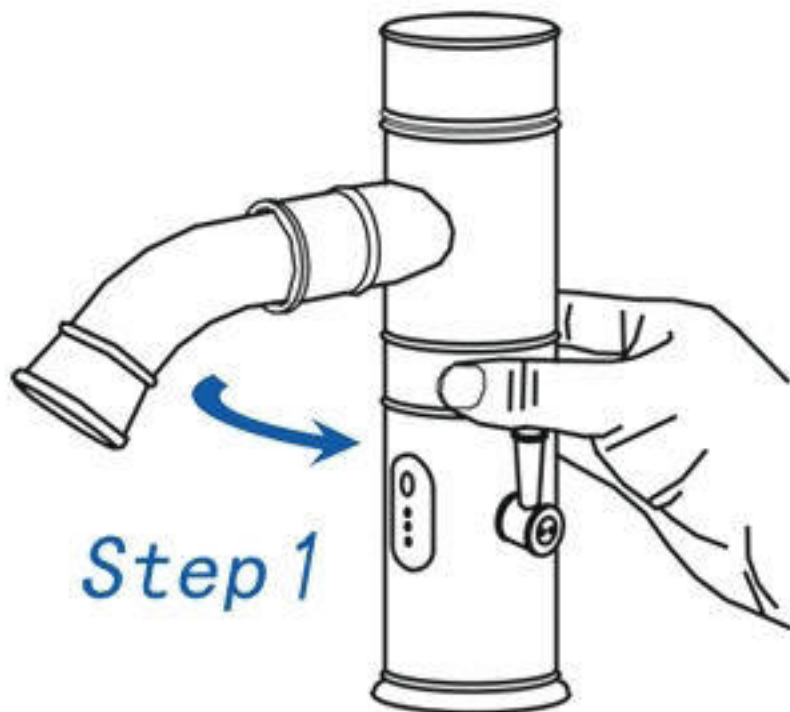
Induction Distance Adjustable

- **Manual adjustment**
- **Automatic adjustment**
- **Touch function switch**



Replace the Sensors

Easy Maintenance



Replace the Solenoid Valve

Easy Maintenance



**Superior Quality
NEOPEAL Aerator**



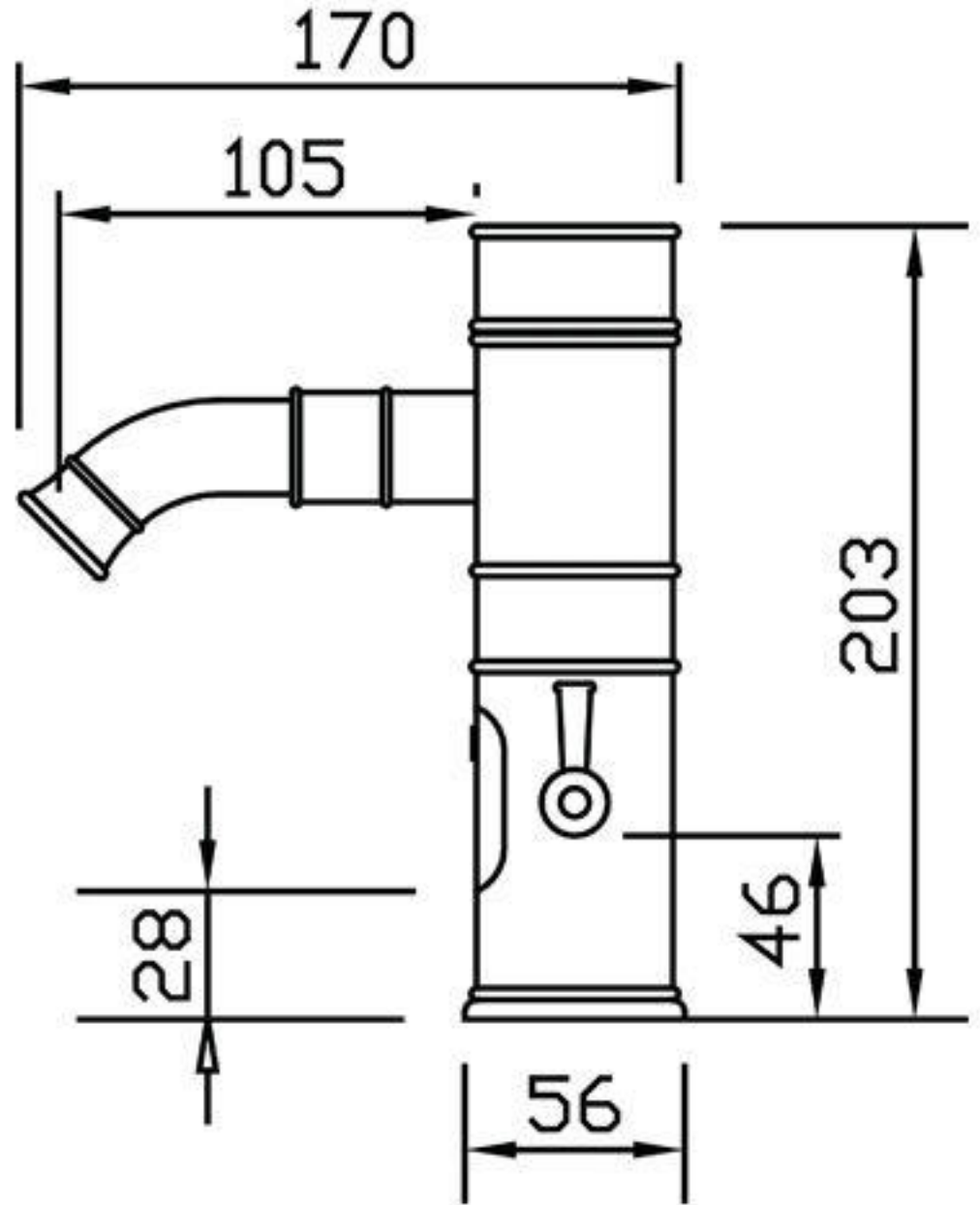
**High Quality
Brass Thread Tube**

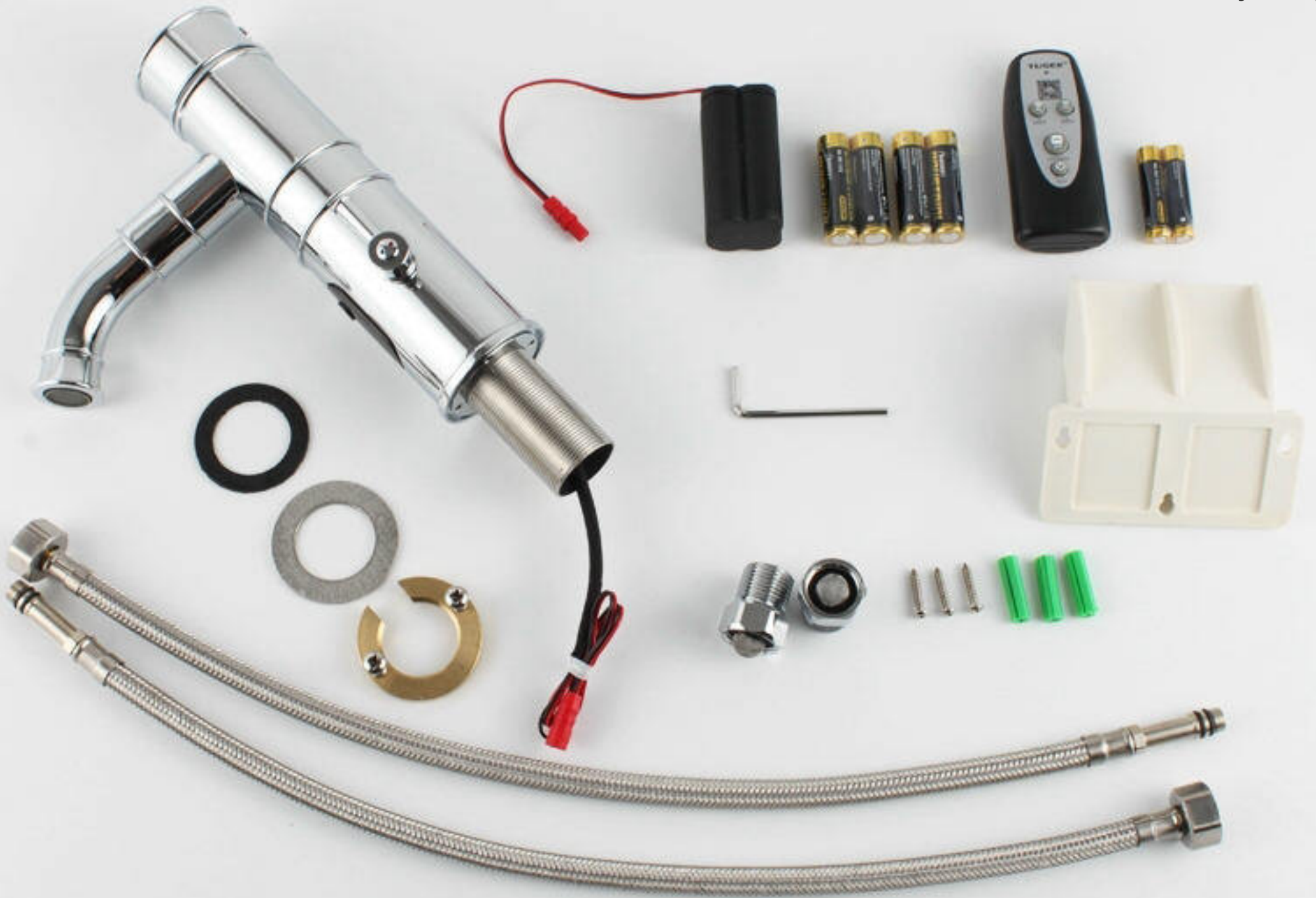


**High Quality One-way
Check Valve**



**High-quality 304 Stainless
Steel Assembly Hose**







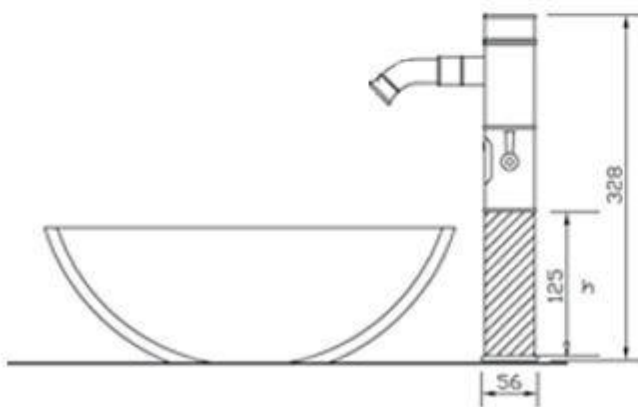
125mm



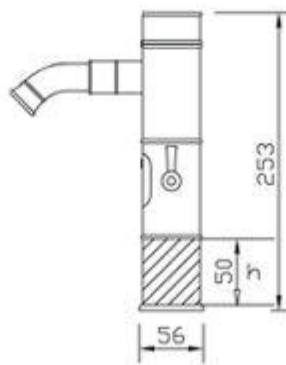
50mm



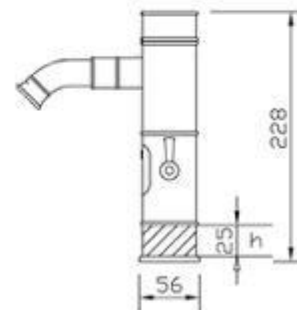
25mm



125mm



50mm



25mm



Art.5038085



Art.5038085 B



Art.5038085 Z



Hamburg - Germany

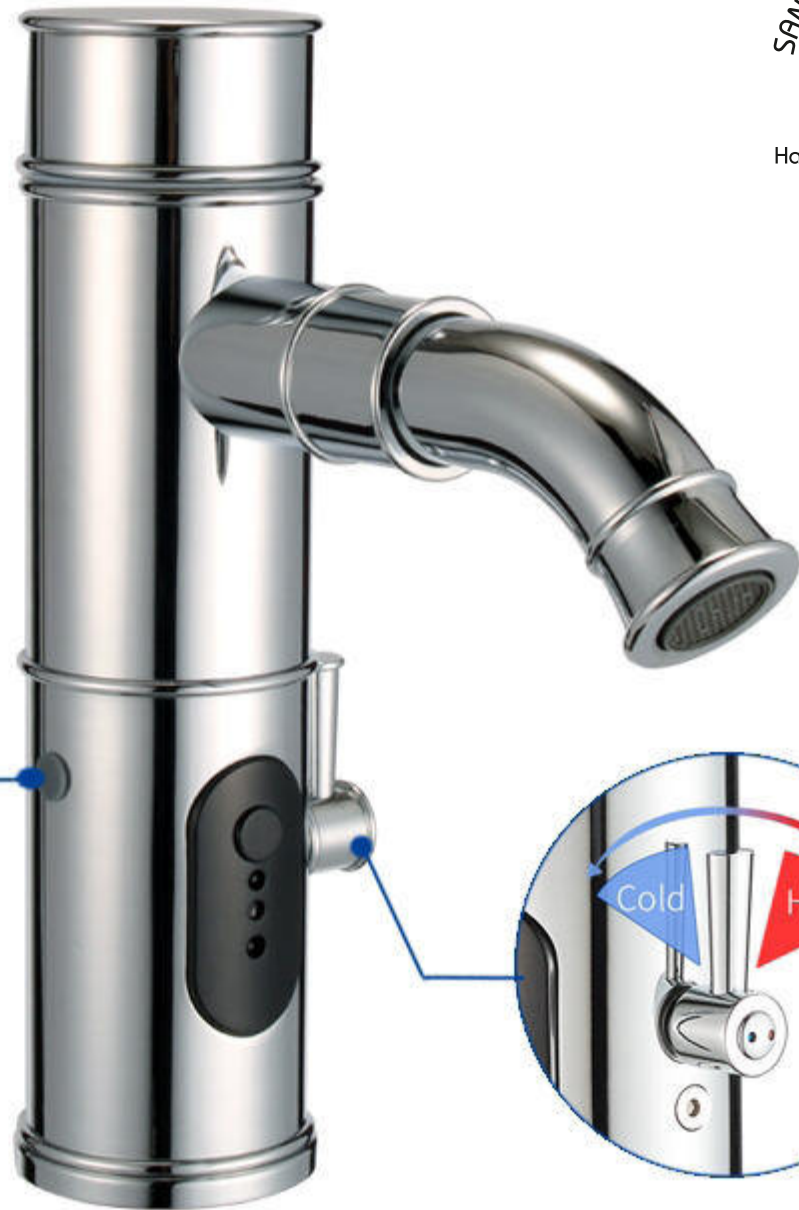




**Rotation wheel
Manual Mode**



**Intelligent Sensor
Automatic Mode**



Adjust The Water Volume in Automatic Mode

Hot and Cold Mixer, Adjust The Temperature by Handle





**Rotatable 360°
Outlet Pipe**



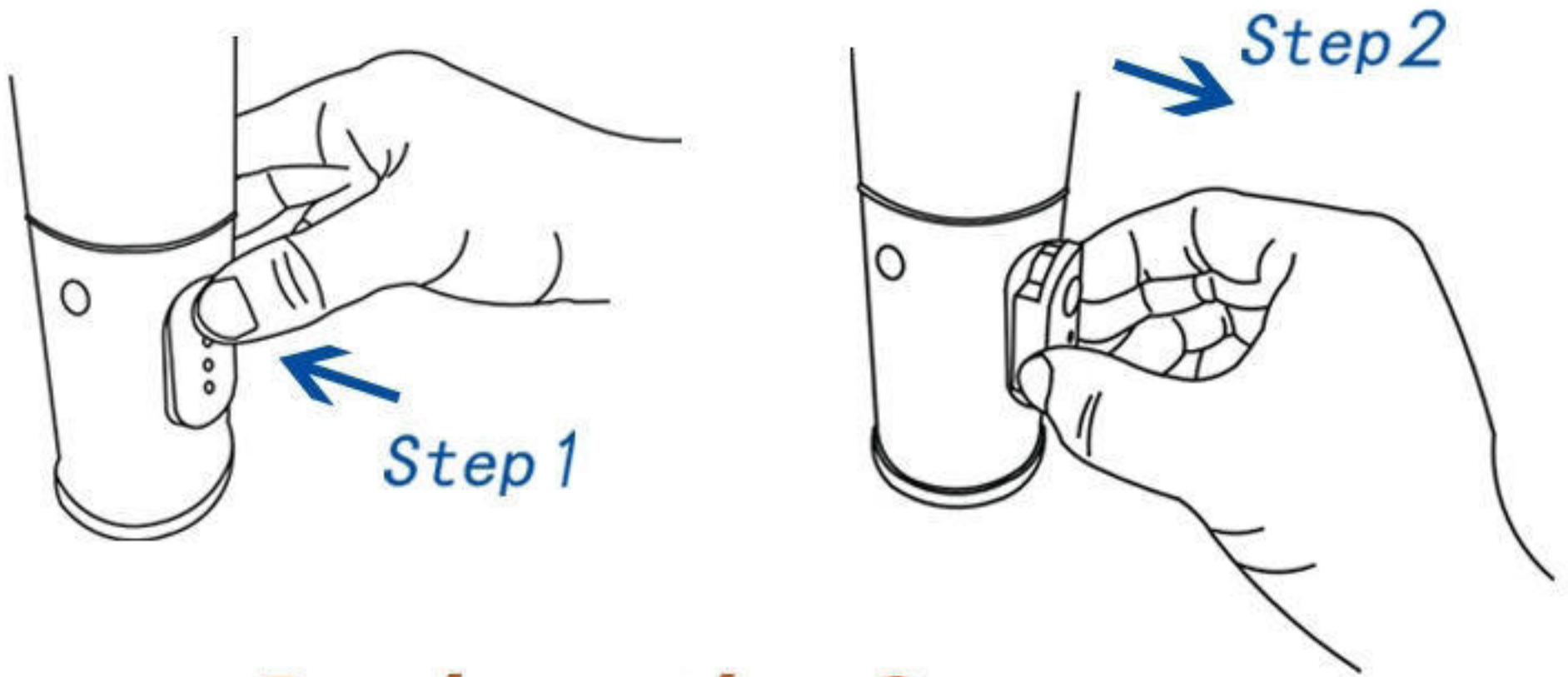
**Touch Switch
Mode Adjusted**



Induction Distance Adjustable

- **Manual adjustment**
- **Automatic adjustment**
- **Touch function switch**





Replace the Sensors

Easy Maintenance



**Superior Quality
NEOPEAL Aerator**



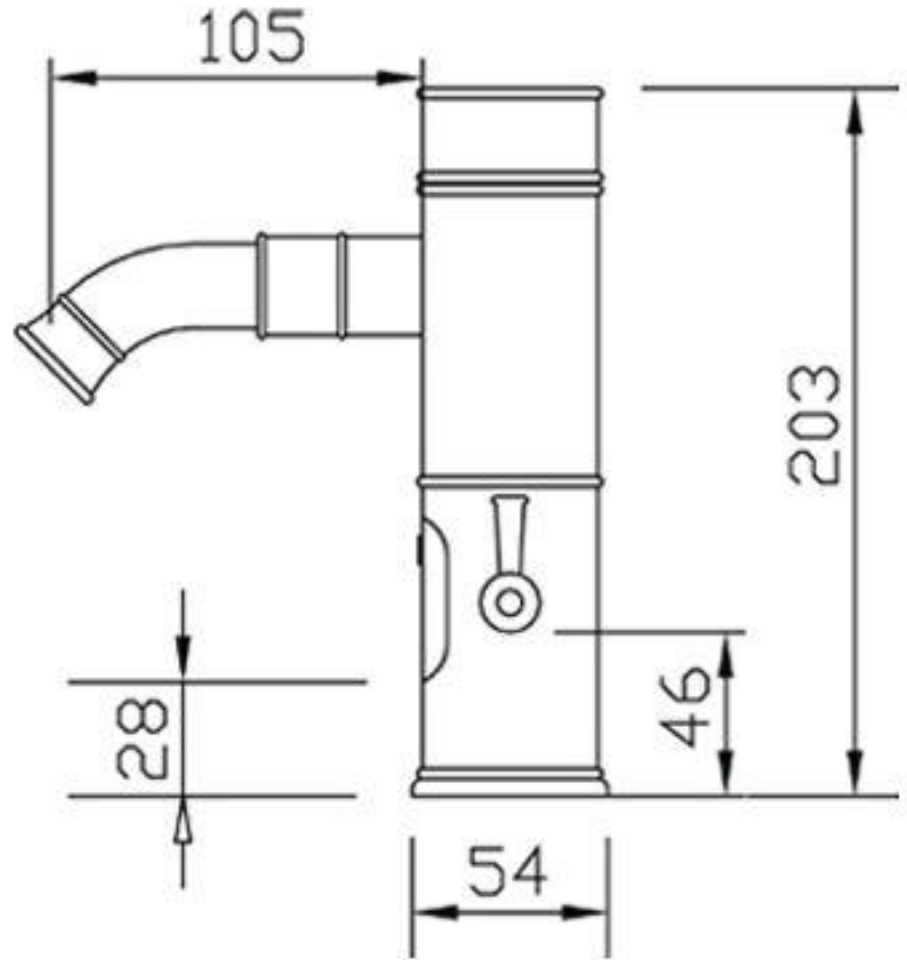
**High Quality
Brass Thread Tube**



**High Quality One-way
Check Valve**



**High-quality 304 Stainless
Steel Assembly Hose**







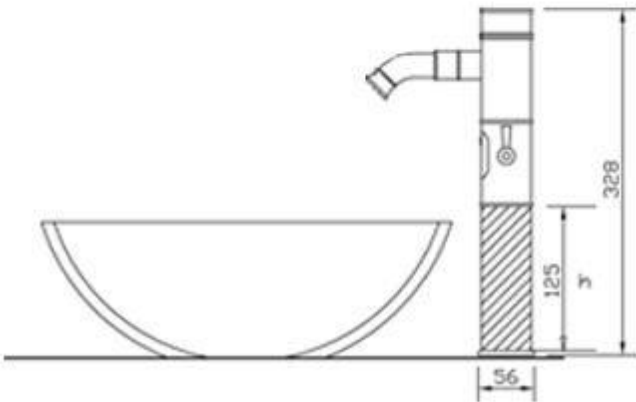
125mm



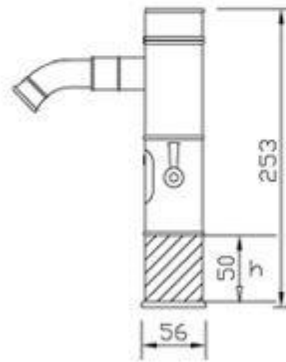
50mm



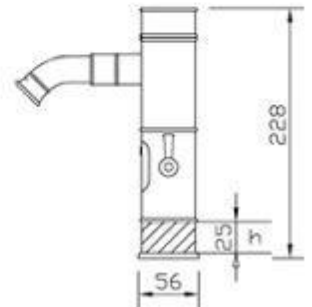
25mm



125mm



50mm



25mm



Art.5038083



Art.5038083 B



Art.5038083 Z



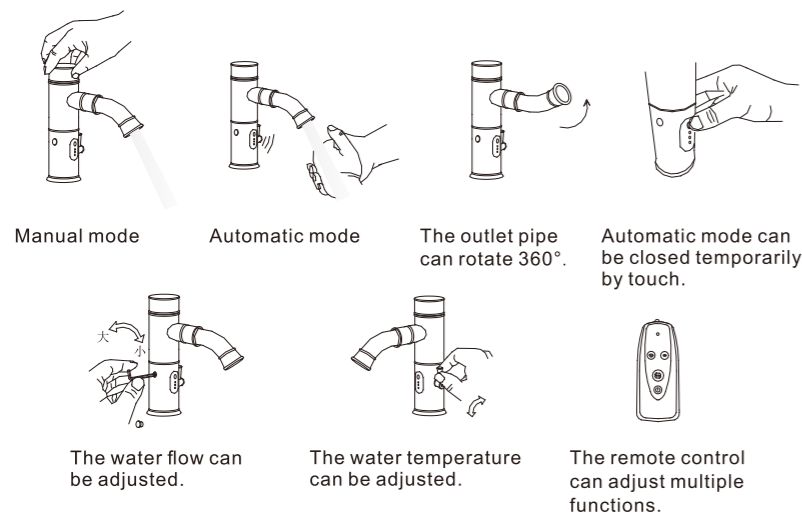
Art.5083038 S

MANUAL AND AUTOMATIC INTEGRATED FAUCET

Instructions for Use and Installation

Thank you for your purchase. Please read the following instructions carefully for installation and use:

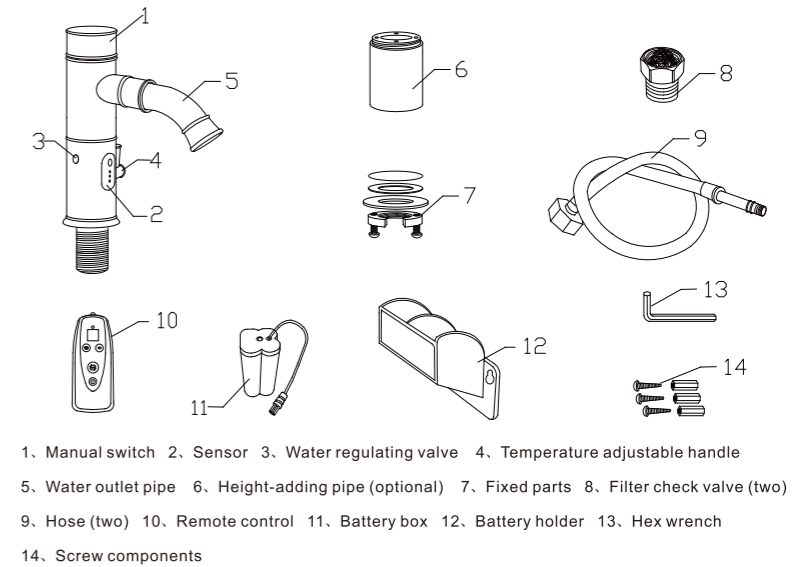
01 BRIEF FUNCTIONS



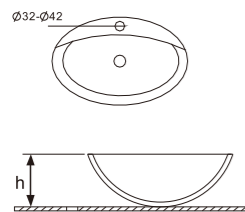
02 SPECIFICATIONS

1. Dia. of Water Inlet Pipe: G1/2" (Dn15)
2. Operating Pressure: 0.05~0.7 Mpa
3. Voltage: DC4.5~DC6V
4. Power: $\leq 0.5\text{mW}$
(4 AA Alkaline Battery, using 100 times a day, up to 2 years life cycle.)
5. Inductive Zone: 5~35 cm (Adjustable)
6. Response Time: $\leq 0.5\text{s}$
7. Shut Off Delay Time: $\leq 1\text{s}$
8. Time to Temporarily Turn Off Automatic Mode: 10 min.
9. Flow Rate of Manual Mode: $< 12\text{L/Min}$ (at 3 bar)
10. Flow Rate of Automatic Mode: $< 16\text{L/Min}$ (at 3 bar)
11. Operating Temperature: $2^{\circ}\text{C} \sim 70^{\circ}\text{C}$
12. Noise Grade: 1

03 PARTS LIST



04 INSTALLATION PREPARATION



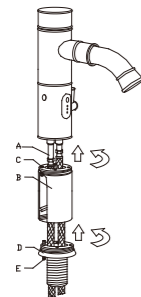
Choosing a suitable basin:

1. It should be a single-hole basin.
2. The diameter of the hole is between $\text{Ø}32\text{-}\text{Ø}42\text{ mm}$.
3. When it is a table basin, the proper height-adding pipe should be selected to suit its height.

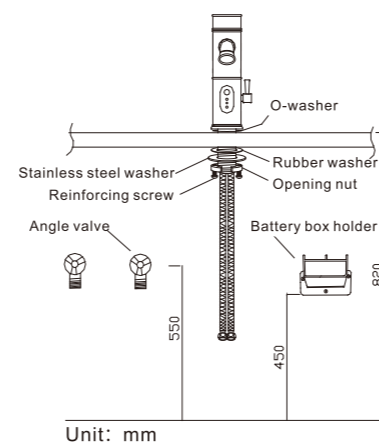
Note: You may purchase a suitable height-adding pipe from a local dealer or our company.

Installation of the height-adding pipe:

1. Connect the A hose to the main body of the faucet;
2. Turn the height-adding pipe B to the bottom of the main body and tighten the screw C;
3. Fix the washer D to the bottom of the riser and tighten the screw E inside the washer.

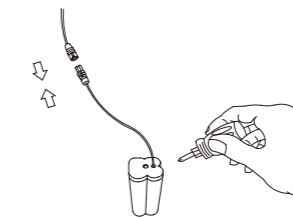


05 INSTALLATION STEPS



Installation of main components:

1. Connect the inlet pipe to the faucet body;
2. Insert the O-washer into the groove at the bottom of the faucet;
3. Pass the main body of the faucet through the basin hole;
4. Insert the rubber washer, stainless steel washer and the opening nut to the pipe of the faucet in turn;
5. Screw down the opening nut;
6. Tighten the two reinforcing screws on the opening nut with the screwdriver;
7. Install multi-function battery box holder.

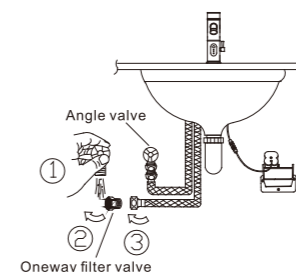


Battery installation:

Remove the battery cover with a screwdriver and install 4 AA alkaline batteries. Close the cover and tighten the screws.

Connection of power cord:

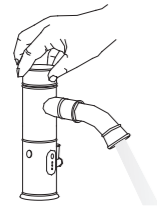
Plug the battery box into the power cord of the faucet.



Connection of waterways:

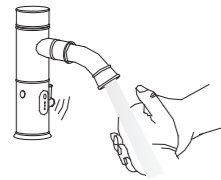
1. Open the Angle valve and flush the pipe clean, leaving no residue. **(This step is very important)**
2. Connect the inlet of the one-way filter valve to the outlet of the Angle valve.
3. Connect the hose inlet to the one-way filter valve.

06 DIRECTIONS FOR USE



Manual mode :

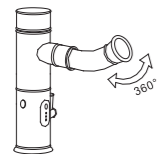
Turn the manual switch above the main body of the faucet on or off the faucet.



Automatic mode:

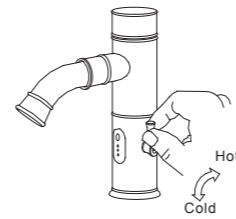
Put the hand or object in the sensor area, and the faucet will discharge water automatically within 0.5 seconds. Once left, the faucet will turn off the water automatically in 1 second.

The faucet will turn off the water automatically when the washing time exceeds 1 minute or there are other objects in the induction area. If you want to continue washing, you can move your hands or objects away and put them in again or use manual mode.



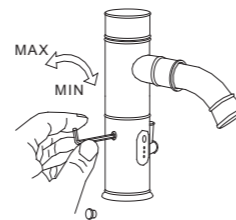
Rotate 360°

The outlet pipe can rotate 360° freely; it is convenient to clean from all angles; The design of upward spraying water facilitates brushing teeth and washing face.



Adjusting the water temperature:

If you want to increase the water temperature, turn the thermostat handle backward; if you want to lower the water temperature, turn it forward. When the water temperature is properly adjusted, if there is no special requirement, it does not need to be adjusted regularly.



Adjusting the water flow in automatic mode:

Remove the rubber cover and use a special hex wrench to adjust the built-in water control valve. Adjust the water flow according to the current water pressure and personal preference. As you go clockwise, the amount of water decreases; When you go counterclockwise, the amount of water increases.

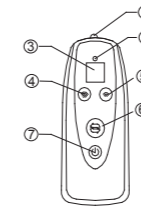
Note: When the automatic mode fails, the water regulating valve can be closed for maintenance. At this point, the manual mode can still be used normally to ensure the use without interruption.



Function and operation method of the touch button:

The touch button can be used to temporarily close the automatic water outlet mode. The specific operation is as follows:

1. Be touched gently, the indicator light is on, the automatic water outlet mode will be temporarily closed;
2. Being touched again, the indicator light is on and the automatic water outlet mode is restored.
3. If it is not touched again, the faucet will return to its automatic water outlet mode after 10 minutes.



Functions of the remote control:

1. Set the sensing distance as needed.
2. Control the opening and closing of the touch button function.

Function keys on the remote control panel:

1. Transmitting tube
2. Indicator light
3. QR Code
4. Sensing distance increase key
5. Sensing distance reduction key
6. Automatic sensing distance setting key
7. Touch function switch key

07 DIRECTIONS FOR USE

Operation method of the remote control:



1. The remote control is pointed at the sensor (be careful not to be under the faucet to avoid being flushed by water).
2. Press the required function button. When the indicator light of the remote control and the sensor indicator light are on at the same time, the sensor will continuously flash the indicator light and complete the setting.

Note:

Use 2 AAA alkaline batteries for the remote control. Remove the batteries when not in use to avoid battery corrosion and damage to the remote control.

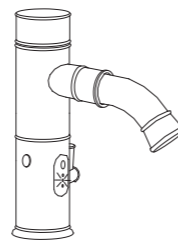
The operation method of automatic setting key of sensing distance:

Place your palm facing the sensor at the desired distance and press this button. After the sensor indicator light flashes continuously and goes out, remove your palm. Thus the sensing distance is set.

Use of touch switch key:

This button can be used to turn off the touch control function when the product is used in public places or other places.

08 MAINTENANCE



Check battery power:

When the indicator light in the sensor flickers regularly, it indicates that the battery power is low. At this time the automatic mode will stop working. Please replace the battery in time.

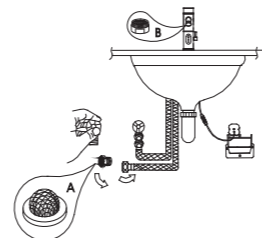


Clean strainer :

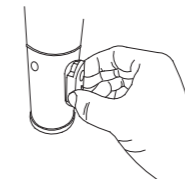
In the normal pressure, when the water flow gets smaller. Maybe the debris has blocked the strainer. Please clean the strainer.

Steps :

1. Close the water supply valve;
2. Remove the one-way filter valve with a spanner, and take out the strainer A and clean it;
3. Installation restoration.



Note: If this phenomenon is unresolved, Please clean the aerator B.



Maintenance of sensor:

When the sensor probe is too dirty to be used properly, the internal cleaning can be conducted in the following steps:

1. Unplug the power plug.
2. Press the top Angle of the sensor, and the bottom of the sensor will turn up.
3. Grab the sensor, pull out horizontally and take it out easily.
4. Use a screwdriver to pry off the clamping position on both sides of the sensor and remove the cover of the sensor.
5. Clean the internal probe and cover of the sensor, and assemble them in original condition.
6. Push the sensor horizontally into the tap, and the magnetic force will absorb and fix it.

Note:

The sensor can work normally by wiping the sensor surface and probe with a dry cloth. No special dirt, no need to disassemble and clean.



Hamburg - Germany





Rotation wheel
Manual Mode



Intelligent Sensor
Automatic Mode



**Adjust The Water
Volume in
Automatic Mode**

**Hot and Cold Mixer,
Adjust The Temperature
by Handle**



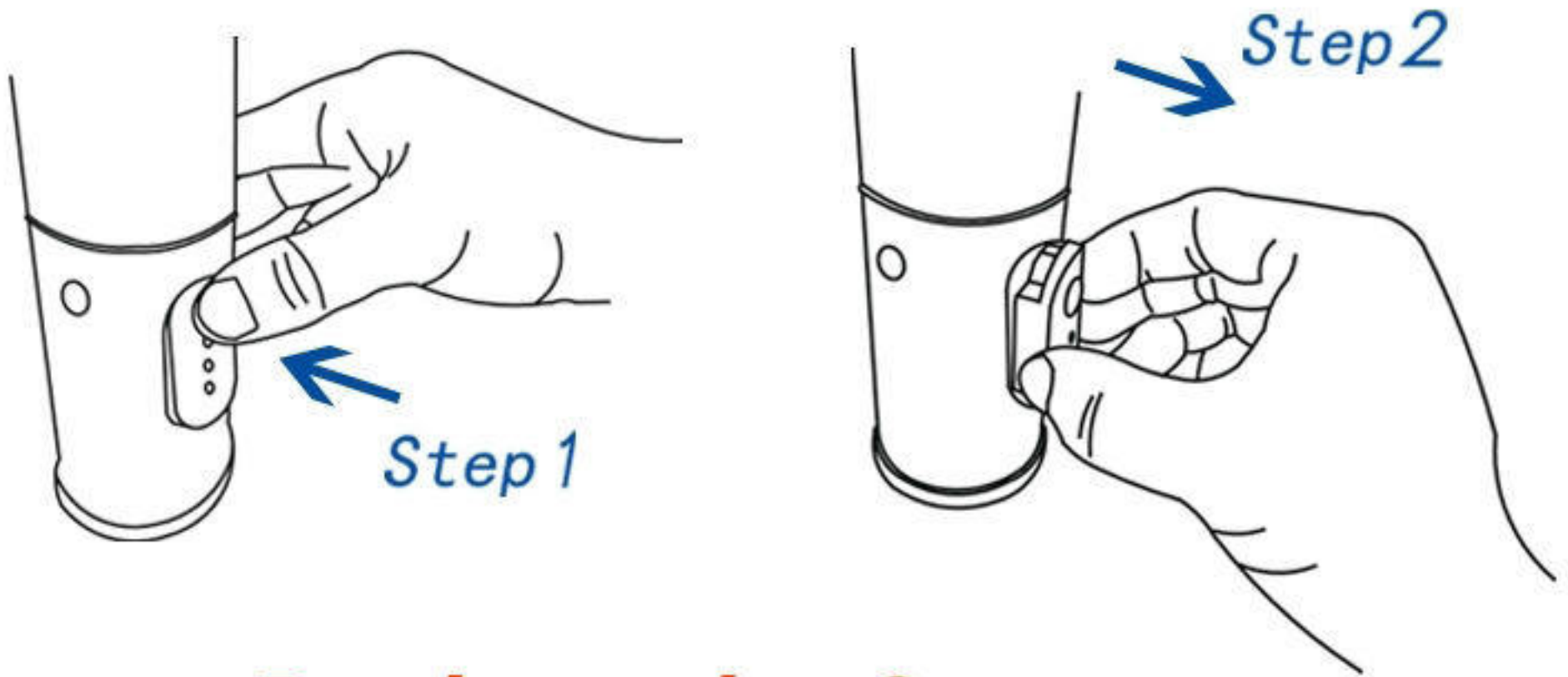


Touch Switch, Mode Adjusted



Induction Distance Adjustable

- ***Manual adjustment***
- ***Automatic adjustment***
- ***Touch function switch***



Replace the Sensors

Easy Maintenance



**Superior Quality
NEOPEAL Aerator**



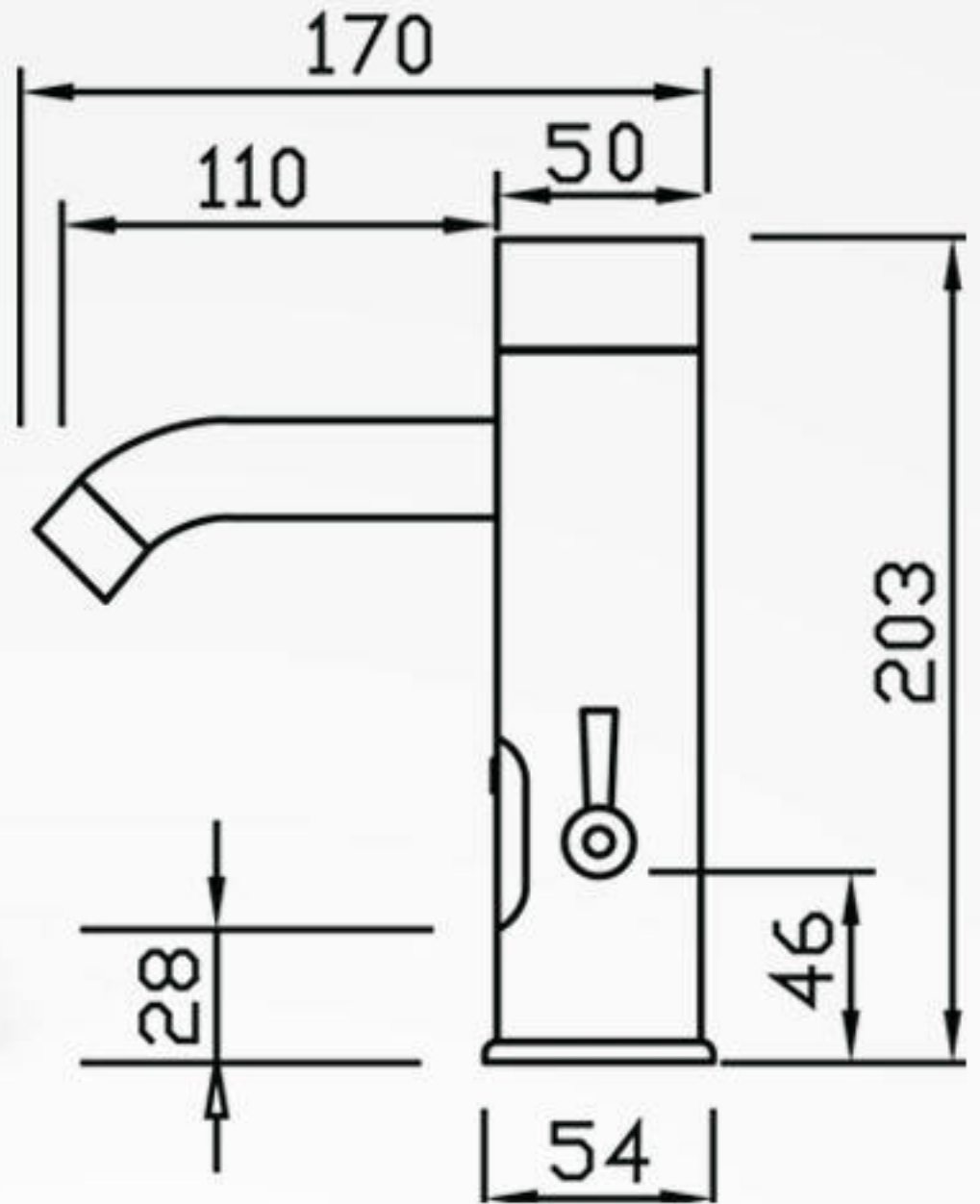
**High Quality
Brass Thread Tube**



**High Quality One-way
Check Valve**



**High-quality 304 Stainless
Steel Assembly Hose**







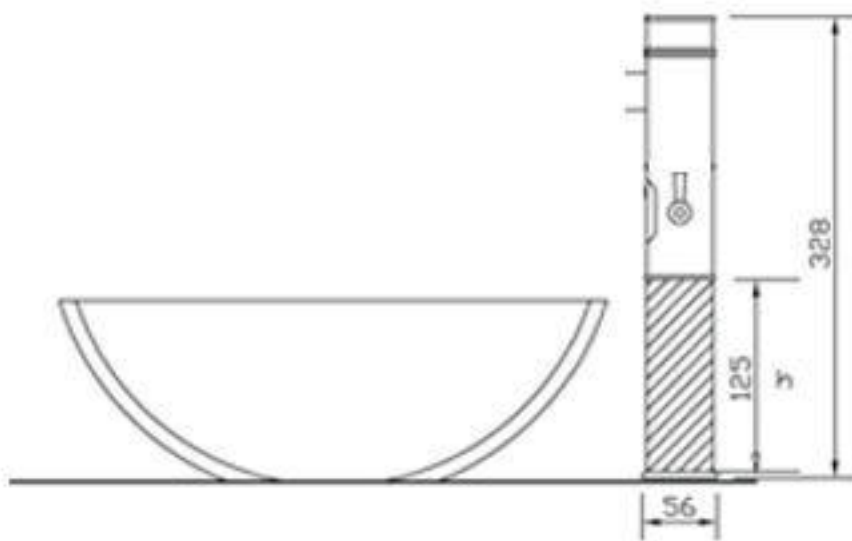
125mm



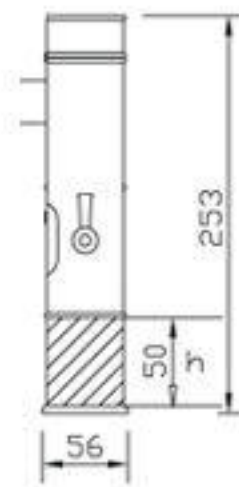
50mm



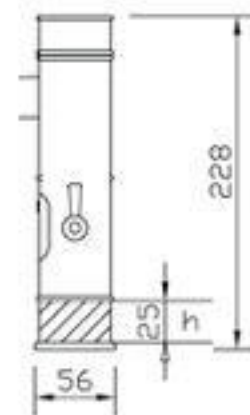
25mm



125mm



50mm



25mm



Art.503031



Art.503031 M



Art.503031 L



Art.503031 XL

SANITARY FITTINGS
NSD
almanit

Hamburg - Germany





**Rotation wheel
Manual Mode**

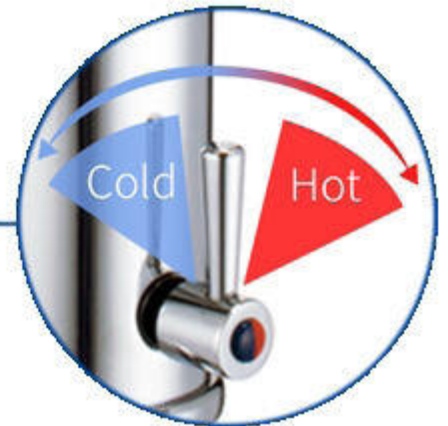


**Intelligent Sensor
Automatic Mode**





**Adjust The Water
Volume in
Automatic Mode**



**Hot and Cold Mixer,
Adjust The Temperature
by Handle**





**Superior Quality
NEOPEAL Aerator**



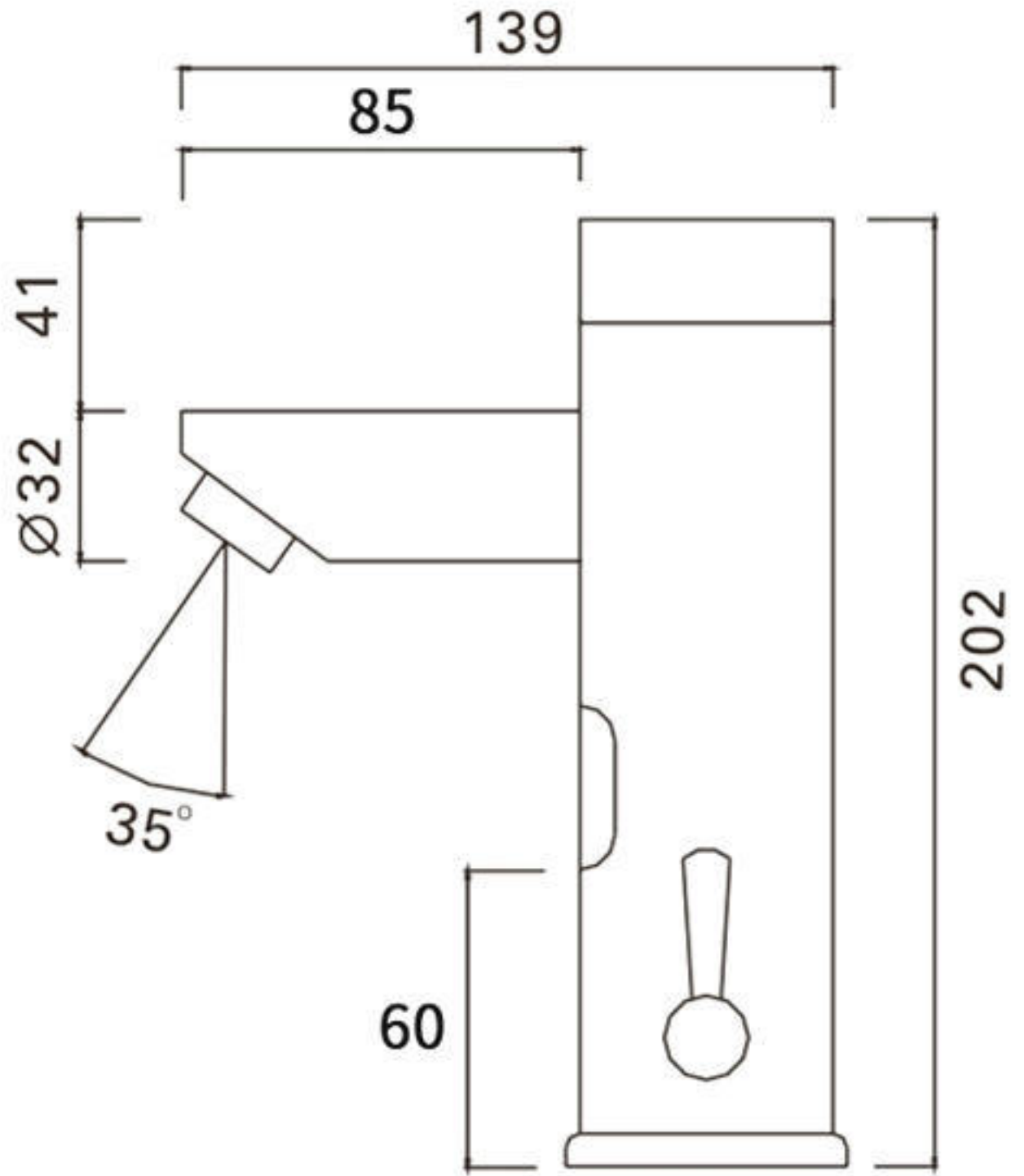
**High Quality
Brass Thread Tube**



**High Quality One-way
Check Valve**



**High-quality 304 Stainless
Steel Assembly Hose**







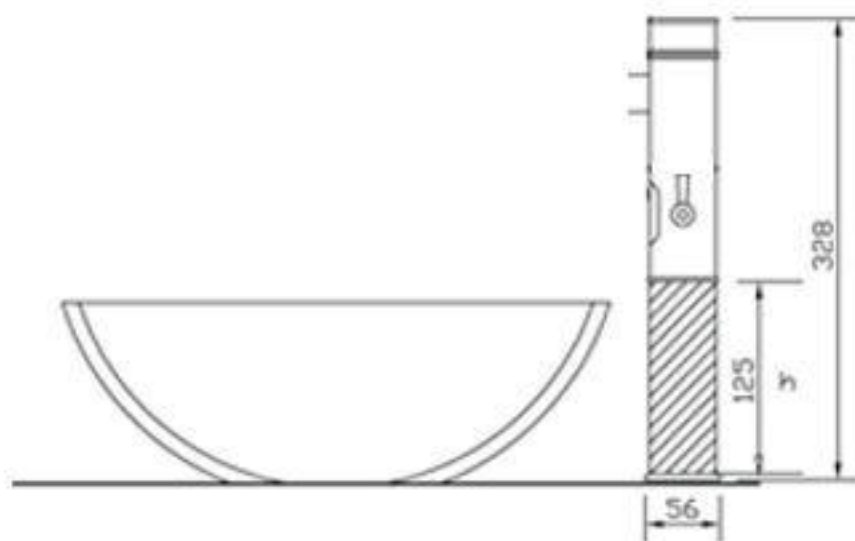
125mm



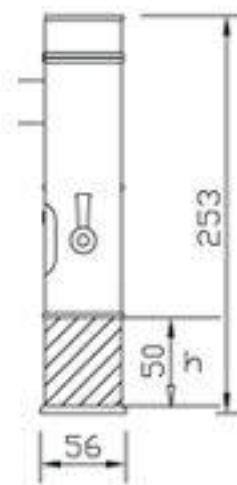
50mm



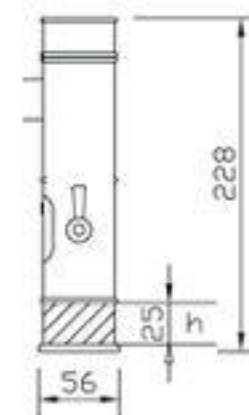
25mm



125mm



50mm



25mm



Water Efficiency Rating		
VERY EFFICIENT - LOWER WATER USE	TAPS	
Maximum Tap flow rate to basin (litres per minute)	Water Use	This Product
4 or less		
6 or less		4.7
8 or less		
10 or less		
Greater than 10		
HIGHER WATER USE	almanit sanitary gmbh	