



Hamburg - Germany

Data Sheet Art.503101

Convenient to use; our "almanit" sensor taps assure optimal hygiene and save up to 70% of water compared to manual type fixtures. Without any hands or levers, water is turned on and off automatically by an intelligent sensor. Water flows "hands-free" only when needed. The appealing design, the reliable function and the rugged quality makes "almanit" sensor taps a good choice for commercial, industrial and even residential applications.

Product Features:

Electronic proximity flow control washbasin tap, infrared flow control, with adjustable working distance, battery operated, solenoid valve which avoids back pressure effect. Sensors, electronics, battery and mechanical mixing valve are incorporated in the body. The brass body is chromed with a Shock-resistant chrome finish. The tap is supplied complete with **built-in** non-return valves, fixing screws, st. steel wire flexible connections hoses with additional filter and non-return valves, and a lever operated mixing valve.

The input with 4 x 1,5 V batteries allows in every moment the installation of a one lever mixer thus helping to cancel hydroelectric interference risks. The batteries are located in and anti-vandal water-resistance **sealed box** inside the faucet.

Operation:

The sensor-eye with its infrared dual sensor creates a large 3-dimensional detection area. When hands, glasses, ...etc. enter this detection area, the electronics start the water flow by opening the valve. When hands or other objects are removed, the tap turns itself off after a turn-off delay of about 2 Sec. The automatic shut-off stops the water flow after abt. 1 min. if the sensor-eye is blocked.

Technical Data:

Working Pressure: 0,2 – 6 Bar

Operating Temperature: 0° to 80°C

Noise Classification: DIN EN 200

Flow rate: 2-6 l/min (0,5-1,5 GPM)

Angle of Sensor: 8°

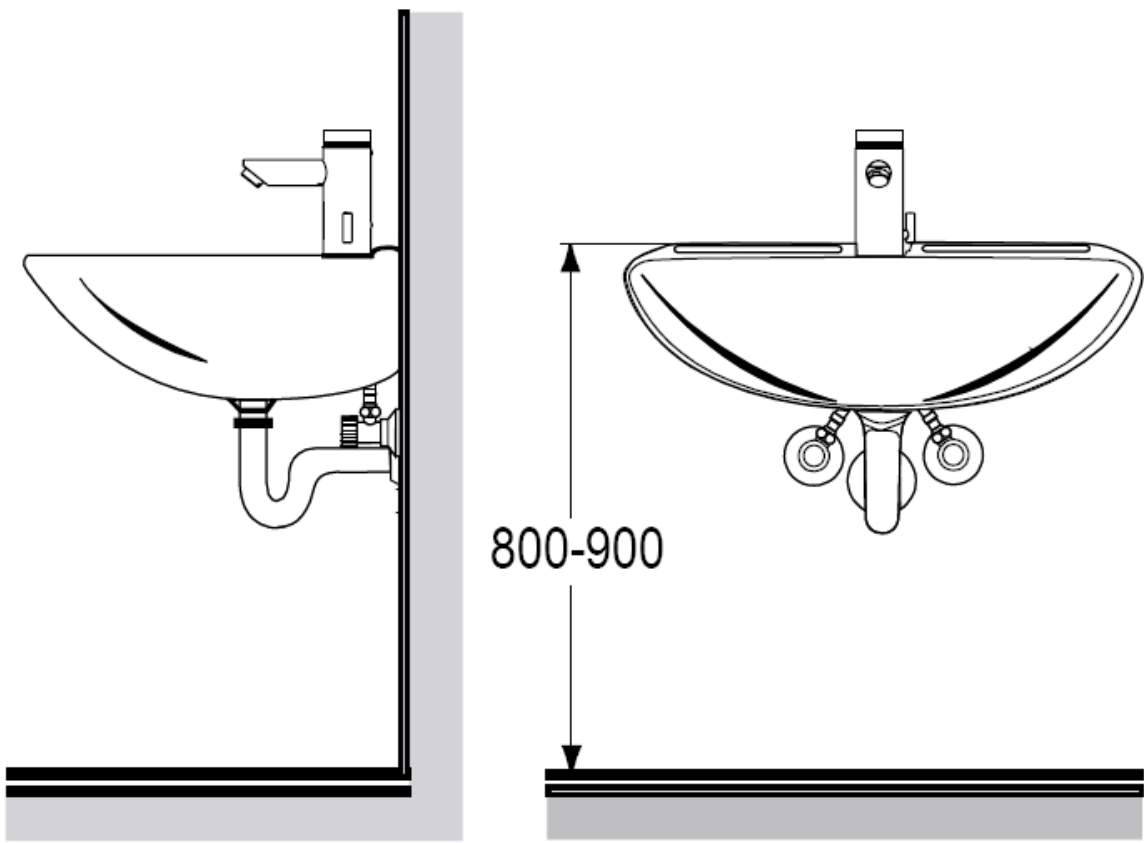
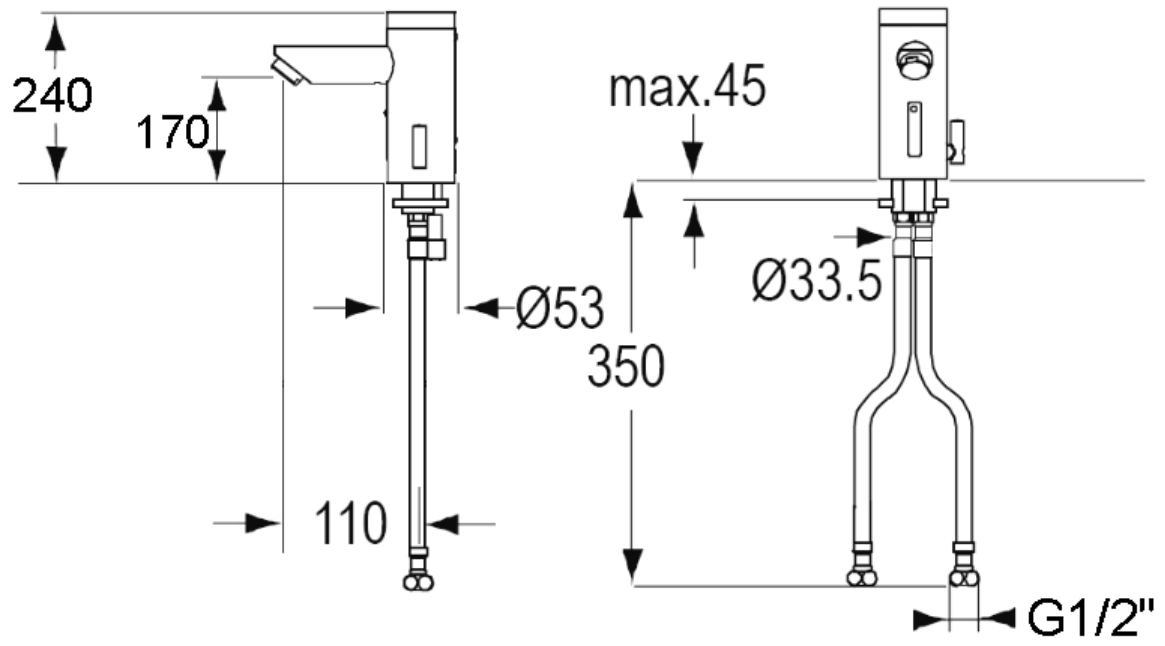
Input: 1/2" connections with non-return valves

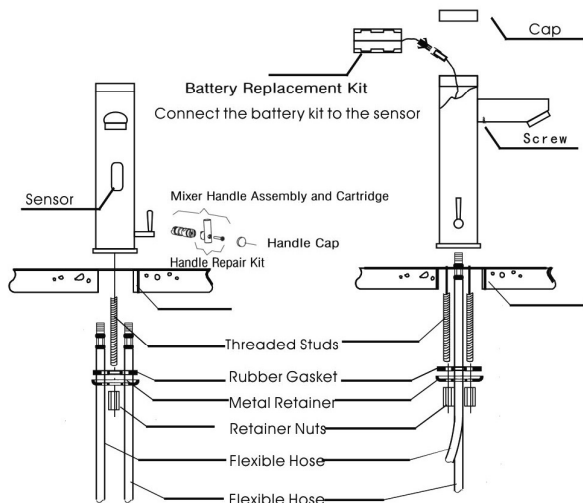
Recognition Range: 10-15cm adjustable

Electrical Connection: DC 6 V with 4 x 1,5 V alkaline batteries type AAA

Batteries Life: 2 years or abt. 100.000 cycles







CARE AND CLEANING OF CHROME AND SPECIAL FINISHES

DO NOT use abrasive or chemical cleaners (including chlorine bleach) to clean faucets that may dull the luster and attack the chrome or special decorative finishes. Use ONLY mild soap and water, then wipe dry with clean cloth or towel.

While cleaning the bathroom tile, protect the faucet from any splattering of cleaner. Acids and cleaning fluids will discolor or remove chrome plating.



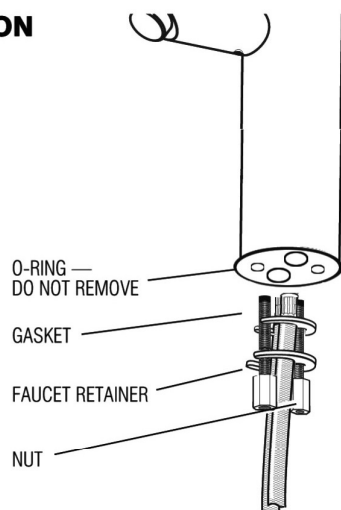
FAUCET INSTALLATION

Step 1

Remove all Mounting Hardware:

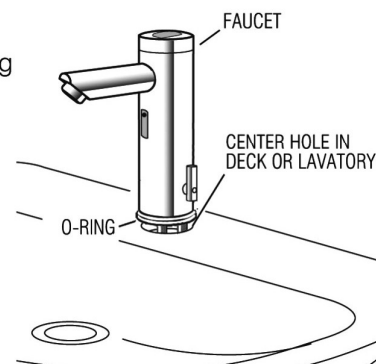
- Nut
- Faucet Retainer
- Gasket

Do Not remove the O-ring from base of faucet.



Step 2

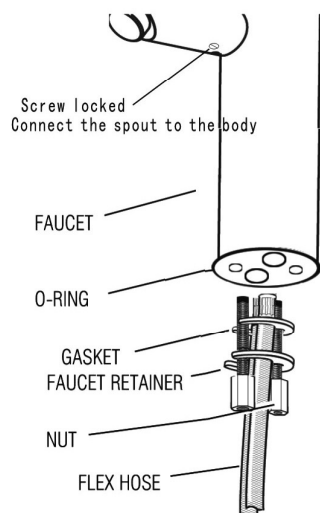
Install Faucet with O-ring into the center hole in deck or lavatory —



Step 3

Slide Gasket over Flex Hose(s).

Secure Faucet to deck or lavatory with Faucet Retainer and Nut.



Step 4

