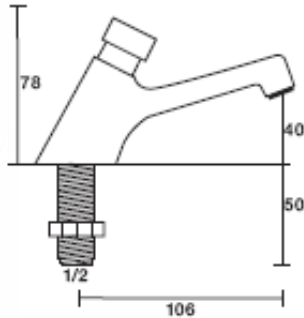




Hamburg - Germany

## Temporized basin mounted Tap Art. Nr. 50014

Self closing basin mounted tap with non-return valves. The body is made of chrome plated cast brass. Easy to install and specially designed to allow simple maintenance. **standard vandal proof** cartridge with **prefixed** time from 5 to 25 seconds ( $\pm 10$  seconds). With this cartridge the time is pre-regulated as customers request with a delay time.



|     | 1    | 2    | 3    | 4   |
|-----|------|------|------|-----|
| BAR | L/M  | L/M  | L/M  | L/M |
| 0.5 | 11,3 | 10.0 | 7.2  | 1,8 |
| 1   | 16.1 | 13.8 | 9.7  | 2.2 |
| 1.5 | 20.9 | 19.1 | 12.6 | 2.9 |
| 2   | 23.4 | 21.6 | 16.2 | 3.2 |
| 3   | 32.1 | 28.5 | 21.0 | 4,4 |

MINIMUM WORKING PRESSURE 0.1 BAR MAXIMUM WORKING PRESSURE 3 BAR.

### **ATTENTION:**

- + If the water pressure is above 4 bar, a pressure reducer is always recommended.
- + the good working of the tap is guaranteed when the water is without impurity. It is important to clean the supply pipes and to install a filter.
- + For changing the water flow, take off the cartridge from the body using a key Nr. 24, then you have to turn cup (F) on the crown ring (E), choosing flow requested from position 1 (Full Open) to position 4 ( Full Closed). Tightening torque of cartridge must be 12 Nm.

### **CHOICE OF FLOW DELAYS**

- A approx 3 sec.
- B approx 4/6 sec.
- C approx 8/12 sec.
- D approx 12/16 sec.
- E approx 15/25 sec. standard or adjustable

