

## Art.50024

Self-closing basin faucet

### Characteristics:

Standard flow at 3 bar: 10,5 L/min  
Flow rate with adjuster: 6 L/min, 5 L/min, 8 L/min.  
Pressure: (0.5 – 6) bar  
Temperature: Max 80°C  
Standard closing time: 8" / 12"  
Temperature Selection / Regulation  
NO water hammers

### Material:

- \* Body in chromed brass conform to EN 1982, EN 12164, EN 12165 standards
- \* Cover button in chromed brass conform to EN 1982, EN 12164, EN 12165 standards
- \* Lever in chromed brass conform to EN 1982, EN 12164, EN 12165 standards

### Reference standard:

EN 816:2017

### Features:

- \* Timing in conformity with EN 816
- \* Treatment of the nickel-chrome surface conformity with EN 248 standard
- \* Resistance to saline aggression 200h conformity to EN 9227 standard

### Accessories / Components supplied:

Fixing kit  
Restraint valve DN10  
Gasket

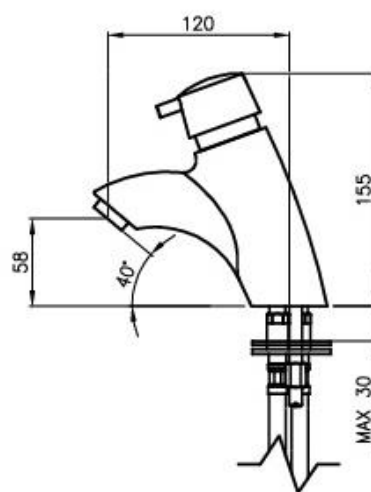
### Options:

Flow rate  
Time rate  
Anti - vandal

Soft touch operation

### Note

- \* Use a filter upstream of the system
- \* Cleaning only with water and soft cloth avoiding acids and abrasives.



Water saving up to 85%



Hamburg - Germany