

Art.50028

Self-closing basin tap

Characteristics:

Standard flow at 3 bar: 13 L/min
Flow rate with adjuster: 6 L/min, 5 L/min, 8 L/min
Pressure: (0,5 – 6) bar
Temperature: Max 70°C
Standard closing time: 8" / 12"
Temperature Selection
NO water hammers

Materials:

- * Body in chromed brass conform to EN 1982, EN 12164, EN 12165 standards
- * Push button Ø40 in chromed brass conform to EN 1982, EN 12164, EN 12165 standards
- * Lever 12X57 in chromed brass conform to EN 1982, EN 12164, EN 12165 standards
- * Base Ø45 in chromed brass conform to EN 1982, EN 12164, EN 12165 standards

Reference standard:

EN 816:2017

Certification:



Features:

- * Timing in conformity with EN 816
- * Treatment of the nickel-chrome surface conformity with EN 248 standard
- * Resistance to saline aggression 200h conformity to EN ISO 9227 standard

Accessories / component supplied:

Fixing kit
Valve PN10
Gasket

Options:

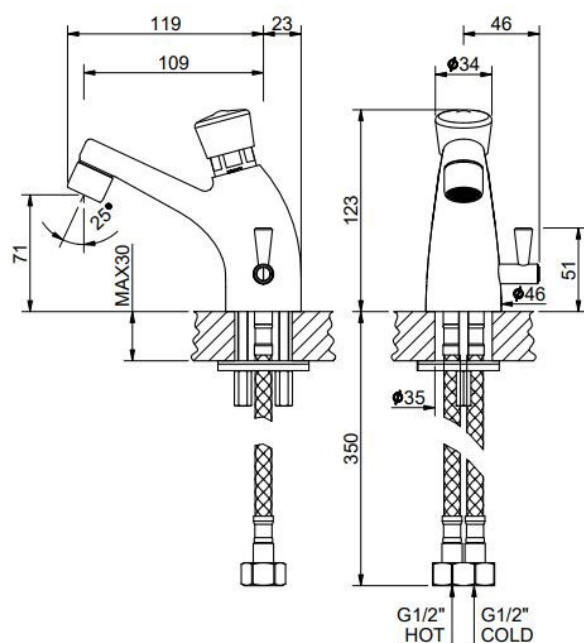
Regulation flow
Regulation Time
Anti-vandal

Soft touch operation

Lever command

Note:

- * Use a filter upstream of the system
- * Cleaning only with water and soft cloth avoiding acids and abrasives



Hamburg - Germany